

Pedestrian stacker truck 1.2 - 1.4 ton

BT staxio

W-series

SWE120L

SWE140L



Pedestrian stacker with elevating support arms

Specification for stacker trucks					SWE120L	SWE140L
Identification	1.1	Manufacturer			BT	BT
	1.2	Model			SWE120L	SWE140L
	1.3	Drive			Electric	Electric
	1.4	Operator type			Pedestrian	Pedestrian
	1.5	Load capacity/rated load	Q	kg	1200	1400
		Support arm capacity	Q	kg	1600	2000
	1.6	Load centre	c	mm	600	600
	1.8	Load distance, centre of support arm wheel to face of forks	x	mm	640	632
	1.9	Wheelbase	y	mm	1302	1302
Weight	2.1	Service weight including battery		kg	929	929
	2.2	Axle load, with load, drive/castor/support arm wheel		kg	450/340/1345	450/360/1525
	2.3	Axle load, without load, drive/castor/support arm wheel		kg	450/220/265	450/220/265
Wheels	3.1	Drive/castor/fork wheel			Powerfriction/Vulkollan/Vulkollan *)	
	3.2	Wheel size, front		mm	Ø230x70	Ø230x70
	3.3	Wheel size, rear		mm	Ø85x74	Ø85x74
	3.4	Additional wheels (dimensions)		mm	Ø125x50	Ø125x50
	3.5	Wheels, number front/rear (x=driven wheels)			1x+2/4	1x+2/4
	3.6	Track width, front	b ₁₀	mm	550	550
	3.7	Track width, rear	b ₁₁	mm	390	390
Dimensions	4.2	Height, mast lowered	h ₁	mm	2135 *)	2160 *)
	4.3	Free lift	h ₂	mm	166 *)	166 *)
	4.4	Lift	h ₃	mm	3210 *)	3165 *)
		Lift height	h ₂₃	mm	3300 *)	3255 *)
	4.5	Height, mast extended	h ₄	mm	3720 *)	3725 *)
	4.6	Initial lift	h ₅	mm	120	120
	4.8	Stand height (optional platform)	h ₇	mm	150	150
	4.9	Height of tiller in drive position, min./max.	h ₁₄	mm	865/1235	865/1235
	4.15	Height, fork lowered	h ₁₃	mm	90	90
	4.19	Overall length	l ₁	mm	1910	1910
	4.20	Length to face of forks	l ₂	mm	753	761
	4.21	Overall width	b ₁	mm	770	770 *)
	4.22	Fork dimensions	s/e/l	mm	60/180/1150 *)	70/180/1150 *)
	4.24	Fork-carriage width	b ₃	mm	674	674
	4.25	Width over forks	b ₅	mm	570 *)	570 *)
	4.31	Ground clearance, with load, below mast	m ₁	mm	22	22
	4.32	Ground clearance, centre of wheelbase	m ₂	mm	22	22
4.33	Aisle width for pallets 1000x1200 crossways	A _{st}	mm	2293	2297	
4.34	Aisle width for pallets 800x1200 lengthways	A _{st}	mm	2281	2288	
4.35	Turning radius	W _a	mm	1393	1393	
Performance data	5.1	Travel speed, with/without load		km/h	6/6	6/6
	5.2	Lift speed, with/without load		m/s	0.12/0.27	0.11/0.27
	5.3	Lowering speed, with/without load		m/s	0.38/0.32	0.37/0.32
	5.8	Max. gradeability, with/without load		%	9/12 ¹⁾	8/12 ¹⁾
	5.10	Service brake			Electromagnetic	Electromagnetic
Electric motor	6.1	Drive motor rating S2 60 min		kW	1.5	1.5
	6.2	Lift motor rating at S3 15%		kW	2.2 ²⁾	2.2 ²⁾
	6.4	Battery voltage/nominal capacity K ₅		V/Ah	24/225 *)	24/225 *)
	6.5	Battery weight		kg	219 *)	219 *)
Others	8.1	Type of drive control			BT Powerdrive	BT Powerdrive

¹⁾ Measured according to company standard

²⁾ S3 6%

*) Further alternatives are available and will produce other values.

Data is based on standard configurations: Medium battery compartment, h₂₃ = 3300 mm (SWE120L) and 3255 mm (SWE140L) Duplex Tele Panoramic View mast.

Truck performance and dimensions are nominal and subject to tolerances. BT Products AB products and specifications are subject to change without notice.

Battery dependent dimensions

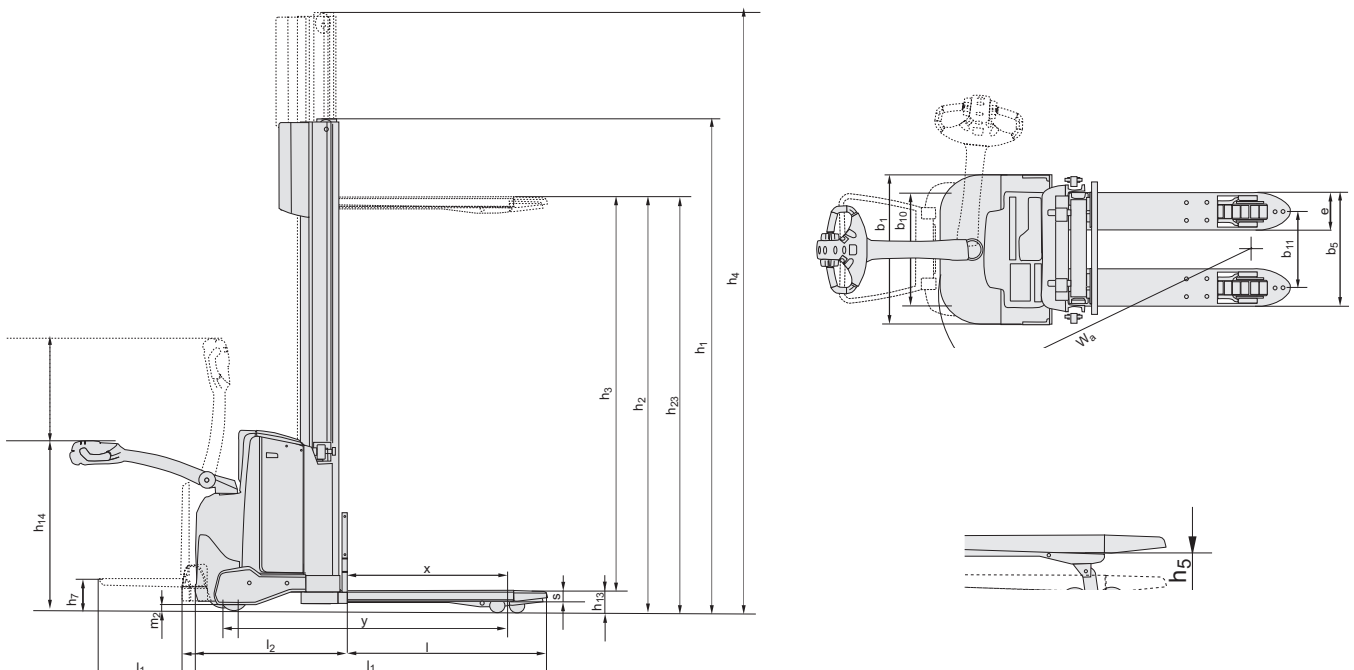
BT staxio

Dimensions		Battery change		SWE120L			SWE140L		
				Lift out		Sideways	Lift out		Sideways
		Battery compartment		Medium	Large	Large	Medium	Large	Large
1.9	Wheelbase	y	mm	1302	1352	1352	1302	1352	1352
4.19	Overall length	l ₁	mm	1910	1960	1960	1910	1960	1960
	without platform			1995/2385	2045/2435	2045/2435	1995/2385	2045/2435	2045/2435
4.20	Length to face of forks	l ₂	mm	753	803	803	761	811	811
	without platform			838/1228	888/1278	888/1278	846/1236	896/1286	896/1286
4.33	Aisle width for pallets 1000x1200 crossways	A _{st}	mm	2293	2343	2449	2297	2347	2347
	without platform			2378/2778	2428/2828	2428/2828	2382/2782	2432/2832	2432/2832
4.34	Aisle width for pallets 800x1200 lengthways	A _{st}	mm	2281	2331	2331	2288	2338	2338
	without platform			2366/2766	2416/2816	2416/2816	2373/2773	2423/2823	2423/2823
4.35	Turning radius	W _a	mm	1293	1443	1443	1393	1443	1443
	without platform			1478/1878	1528/1928	1528/1928	1478/1878	1528/1928	1528/1928
6.4	Battery voltage, nominal capacity K ₅		V/Ah	24/225	24/300	24/260	24/225	24/300	24/260
6.5	Battery weight, min.—max.		kg	189—250	230—280	209—250	189—250	230—280	209—250

Mast dimensions

SWE120L			Simplex	Duplex Tele				Dupl. Tele Panoram. View				Duplex HiLo				Triplex HiLo			
h ₂₃	Lift height (h13+h3)	mm	1400 1700	2700 2900 3300 3700 4150	2700 2900 3300 3700 4150	2700 2900 3300 3700 4150	2700 2900 3300 3700 4150	2700 2900 3300 3700 4150	2700 2900 3300 3700 4150	2700 2900 3300 3700 4150	3300 3700 4150 4500	3300 3700 4150 4500	3300 3700 4150 4500	3300 3700 4150 4500					
h ₃	Lift	mm	1310 1610	2610 2810 3210 3610 4060	2610 2810 3210 3610 4060	2610 2810 3210 3610 4060	2610 2810 3210 3610 4060	2610 2810 3210 3610 4060	2610 2810 3210 3610 4060	2610 2810 3210 3610 4060	3210 3610 4060 4410	3210 3610 4060 4410	3210 3610 4060 4410						
h ₁	Height, mast lowered	mm	1825 2125	1840 1940 2140 2340 2565	1835 1935 2135 2335 2560	1835 1935 2135 2335 2560	1835 1935 2135 2335 2560	1835 1935 2135 2335 2560	1835 1935 2135 2335 2560	1835 1935 2135 2335 2560	1695 1829 1979 2095	1695 1829 1979 2095	1695 1829 1979 2095						
h ₂	Free lift, ground to top of forks	mm	1400 1700	166 166 166 166 166	166 166 166 166 166	166 166 166 166 166	166 166 166 166 166	166 166 166 166 166	166 166 166 166 166	1420 1520 1720 1920 2144	1270 1404 1554 1670	1270 1404 1554 1670	1270 1404 1554 1670						
h ₄	Height, mast extended	mm	1825 2125	3125 3325 3725 4125 4575	3120 3320 3720 4120 4570	3120 3320 3720 4120 4570	3120 3320 3720 4120 4570	3120 3320 3720 4120 4570	3120 3320 3720 4120 4570	3341 3341 3741 4141 4591	3747 4149 4599 4947	3747 4149 4599 4947	3747 4149 4599 4947						

SWE140L			Duplex Tele Panoramic View					Duplex HiLo					Triplex HiLo				
h ₂₃	Lift height (h13+h3)	mm	2655 2855 3255 3655 4105	2655 2855 3255 3655 4105	2655 2855 3255 3655 4105	2655 2855 3255 3655 4105	2655 2855 3255 3655 4105	2655 2855 3255 3655 4105	2655 2855 3255 3655 4105	2655 2855 3255 3655 4105	3255 3655 4105 4455 4755	3255 3655 4105 4455 4755	3255 3655 4105 4455 4755				
h ₃	Lift	mm	2565 2765 3165 3565 4015	2565 2765 3165 3565 4015	2565 2765 3165 3565 4015	2565 2765 3165 3565 4015	2565 2765 3165 3565 4015	2565 2765 3165 3565 4015	2565 2765 3165 3565 4015	2565 2765 3165 3565 4015	3165 3565 4015 4365 4665	3165 3565 4015 4365 4665					
h ₁	Height, mast lowered	mm	1860 1960 2160 2360 2585	1835 1935 2135 2335 2560	1835 1935 2135 2335 2560	1835 1935 2135 2335 2560	1835 1935 2135 2335 2560	1835 1935 2135 2335 2560	1835 1935 2135 2335 2560	1835 1935 2135 2335 2560	1695 1829 1979 2095 2195	1695 1829 1979 2095 2195					
h ₂	Free lift, ground to top of forks	mm	166 166 166 166 166	1374 1474 1674 1874 2099	1374 1474 1674 1874 2099	1374 1474 1674 1874 2099	1374 1474 1674 1874 2099	1374 1474 1674 1874 2099	1374 1474 1674 1874 2099	1374 1474 1674 1874 2099	1224 1358 1508 1624 1724	1224 1358 1508 1624 1724					
h ₄	Height, mast extended	mm	3125 3325 3725 4125 4575	3141 3341 3741 4141 4591	3141 3341 3741 4141 4591	3141 3341 3741 4141 4591	3141 3341 3741 4141 4591	3141 3341 3741 4141 4591	3141 3341 3741 4141 4591	3141 3341 3741 4141 4591	3747 4149 4599 4947 5247	3747 4149 4599 4947 5247					



Truck features:

- BT Powerdrive System
- Fingertip controls
- Electronic braking system
- Electronic speed control
- Operator safety
- Storage compartments
- Automatic switch-off
- Click-2-creep
- Programmable performance
- Easy access for maintenance
- Built in charger (option)
- Sensilift (option)
- Flip-up operator platform (option)
- Toyota I_site: truck fleet management system (option)
- Hydraulic oil for low temperatures (option)

